

# Amana<sup>®</sup>

10.1 Kg

NAV-2

# Washer

## Use & Care Guide

### Table of Contents



Important Safety Instructions 1-2



Operating Tips ..... 3-4



Using the Controls  
3 Speed Combo Models ..... 5-6



Special Features ..... 7-8



Care & Cleaning ..... 8



Troubleshooting ..... 9

Guide d'utilisation  
et d'entretien ..... 10

Guía de uso y cuidado ..... 22



# Important Safety Instructions

**Installer:** Please leave this guide with this appliance.

**Consumer:** Please read and keep this guide for future reference. Keep sales receipt and/or canceled check as proof of purchase.

Have complete model and serial number identification of your appliance. This is located on the back center of the control panel. Record these numbers below for easy access.

Model Number \_\_\_\_\_

Serial Number \_\_\_\_\_

Date of Purchase \_\_\_\_\_

In our continuing effort to improve the quality and performance of our appliances, it may be necessary to make changes to the appliance without revising this guide.

**Note:** When writing or calling about a service problem, please include the following information:

- a. Your name, address and telephone number;
- b. Model number and serial number;
- c. Name and address of your dealer or engineer;
- d. A clear description of the problem you are having;
- e. Proof of purchase (sales receipt)

## What You Need to Know About Safety Instructions

Warning and Important Safety Instructions appearing in this guide are not meant to cover all possible conditions and situations that may occur. Common sense, caution and care must be exercised when installing, maintaining or operating appliance.

Always contact the manufacturer about problems or conditions you do not understand.

## Recognize Safety Symbols, Words, Labels

### **WARNING**

**WARNING** – Hazards or unsafe practices which **COULD** result in severe personal injury or death.

### **CAUTION**

**CAUTION** – Hazards or unsafe practices which **COULD** result in minor personal injury.

### **WARNING! FIRE HAZARD**

**Do not** add gasoline, dry-cleaning solvents, or other flammable or explosive substances to the wash water. These substances give off vapors that could ignite or explode.

**Do not** wash articles which have been previously cleaned, washed, soaked, or spotted with gasoline, dry-cleaning solvents, oil, waxes, chemical solvents, alcohol, turpentine, or other flammable or explosive materials. These substances will be retained in articles, and articles which still contain these flammable or explosive substances give off vapors that could ignite or explode.

Observe these precautions when using cleaning fluids, spot or stain removers, etc. These products should be labeled “nonflammable.” Use according to manufacturers’ directions in a well ventilated area or outdoors. Thoroughly rinse articles by hand before placing them in the washer. Some of these products – rust removers, for example – will damage components and the finish of the washer.

Keep area around and underneath washer free from the accumulation of combustible materials, such as lint, paper, rags, gasoline, and all other flammable vapors and liquids.

**HYDROGEN GAS IS EXPLOSIVE!** Under certain conditions, hydrogen gas may be produced in a hot water system that has not been used for two weeks or more. If the hot water system has not been used for such a period, before using the washer, turn on all the hot water faucets and let the water flow from each faucet for several minutes. This will release any accumulated hydrogen gas. As this gas is flammable, **do not** smoke or use an open flame during this time.

Recent studies have shown that if vegetable oil contaminated materials are incompletely washed, a carry-over and buildup of the oil may contribute to a chemical reaction (spontaneous combustion) that could cause a load to catch fire by itself. This would be more likely to happen if the load were left in the dryer after tumbling stopped or if items were folded and stacked while warm.



# Important Safety Instructions

## ⚠ WARNING

To reduce the risk of fire, explosion, electric shock, or personal injury when using your washer, follow basic safety precautions, including the following:

1. Read all instructions before using the appliance.
  2. As with any equipment using electricity and having moving parts, there are potential hazards. To use this appliance safely, the operator should become familiar with the instructions for operation of the appliance and always exercise care when using it.
  3. **Do not** install or store this appliance where it will be exposed to the weather.
  4. Install and level washer on a floor that can support the weight.
  5. This appliance must be properly grounded. **Never** plug the appliance cord into a receptacle which is not grounded adequately and in accordance with local and national codes. See installation instructions for grounding this appliance.
  6. To avoid the possibility of fire or explosion:
    - a. **Do not** wash items that have been previously cleaned in, washed in, soaked in, or spotted with gasoline, dry-cleaning solvents, other flammable or explosive substances as they give off vapors that could ignite or explode. Hand wash and line dry any items containing these substances.

Any material on which you have used a cleaning solvent, or which is saturated with flammable liquids or solids, **should not** be placed in the washer until all traces of these liquids or solids and their fumes have been removed.

These items include acetone, denatured alcohol, gasoline, kerosene, some liquid household cleaners, some spot removers, turpentine, waxes and wax removers.
    - b. **Do not** add gasoline, dry-cleaning solvents, or other flammable or explosive substances to the wash water. These substances give off vapors that could ignite or explode.
    - c. Under certain conditions, hydrogen gas may be produced in a hot water system that has not been used for two weeks or more. **HYDROGEN GAS IS EXPLOSIVE.** If the hot water system has not been used for such a period, before using a washer or combination washer-dryer, turn on all hot water faucets and let the water flow from each for several minutes. This will release any accumulated hydrogen gas. As the gas is flammable, **do not** smoke or use an open flame during this time.
  - d. **Do not** wash or dry items that are soiled with vegetable or cooking oil. These items may contain some oil after laundering. Due to the remaining oil, the fabric may smoke or catch fire by itself.
7. **Do not** reach into the appliance if the tub or agitator is moving.
  8. **Do not** allow children or pets to play on, in, or in front of the appliance. Close supervision is necessary when the appliance is used near children and pets.
  9. **Do not** tamper with controls.
  10. **Do not** repair or replace any part of the appliance or attempt any servicing unless specifically recommended in published user-repair instructions that you understand and have the skills to carry out.
  11. Unplug power supply cord before attempting to service your washer. Service is to be done only by qualified service personnel.
  12. The agitator **should not** be removed. If the agitator is removed, it must be replaced by pushing down completely and the locking screw tightened before the washer is operated.
  13. Keep all laundry aids such as detergents, bleach, etc., out of the reach of children, preferably in a locked cabinet. Use laundry aids only as directed by the manufacturer. Observe all warnings on container labels.
  14. Keep the area around and underneath washer free from the accumulation of combustible materials, such as lint, paper, rags, gasoline, and all other flammable vapors and liquids.
  15. **Do not** use chlorine bleach and ammonia or acids (such as vinegar or rust remover) in the same wash. Hazardous fumes can form.
  16. **Do not** machine wash fiberglass materials. Small particles can stick to fabrics washed in following loads and cause skin irritation.
  17. For flame resistant finishes - follow garment manufacturer's instructions carefully. Improper laundering could remove the finish.
  18. Before the appliance is removed from service or discarded, remove the door to the washing compartment.
  19. Inlet hoses are subject to damage and deterioration over time. Check the hoses periodically for bulges, kinks, cuts, wear or leaks and replace them every five years.

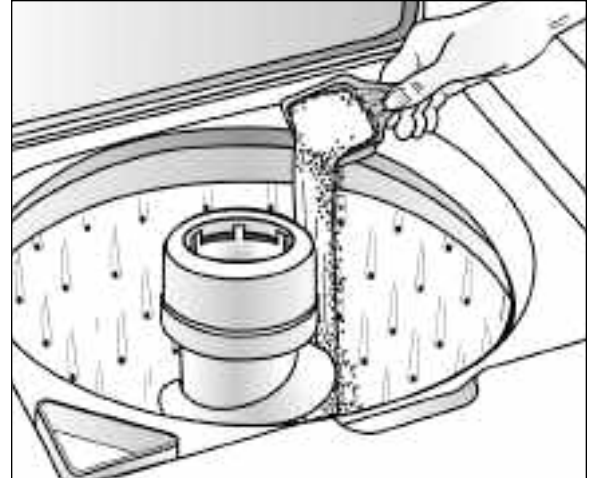
**SAVE THESE INSTRUCTIONS**



# Operating Tips

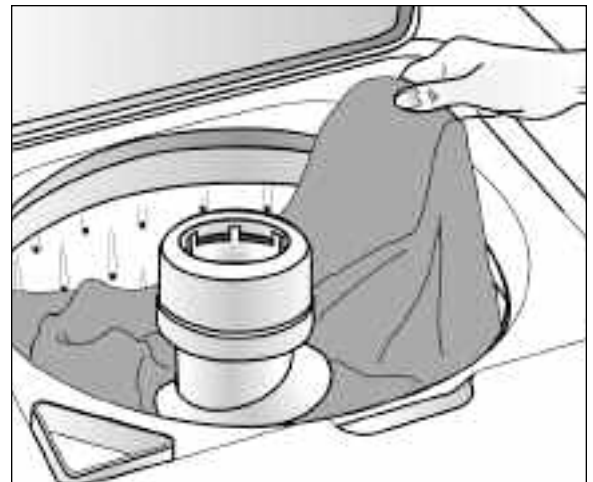
## Detergent

- Use either liquid or granular laundry detergent. **For best results, be sure detergent is added to the washer BEFORE the load and be sure the wash water is above 60° F (16° C).**
- Use the correct amount of detergent for the load size, soil level and water conditions. Use more detergent if you have hard water and very soiled loads.  
If you have soft water or a lightly soiled load, use less detergent. (See manufacturer's instructions.)
- Wipe up any detergent spills on the washer.



## Loading

- For best results add the detergent to the washtub before adding the load.
- Put dry, unfolded clothes loosely in the tub, up to the top row of holes for a maximum load.
- **Do not** wrap large items like sheets around the agitator.
- Mix large and small items for best circulation. Wash bulky items like blankets separately.
- When laundering wrinkle-free items or items of delicate construction, washable woolens or loosely knit items, never use less than the Medium water level setting. This will minimize shrinkage, wrinkling and pulling of seams.
- Close lid carefully to avoid slamming.





# **Operating Tips**

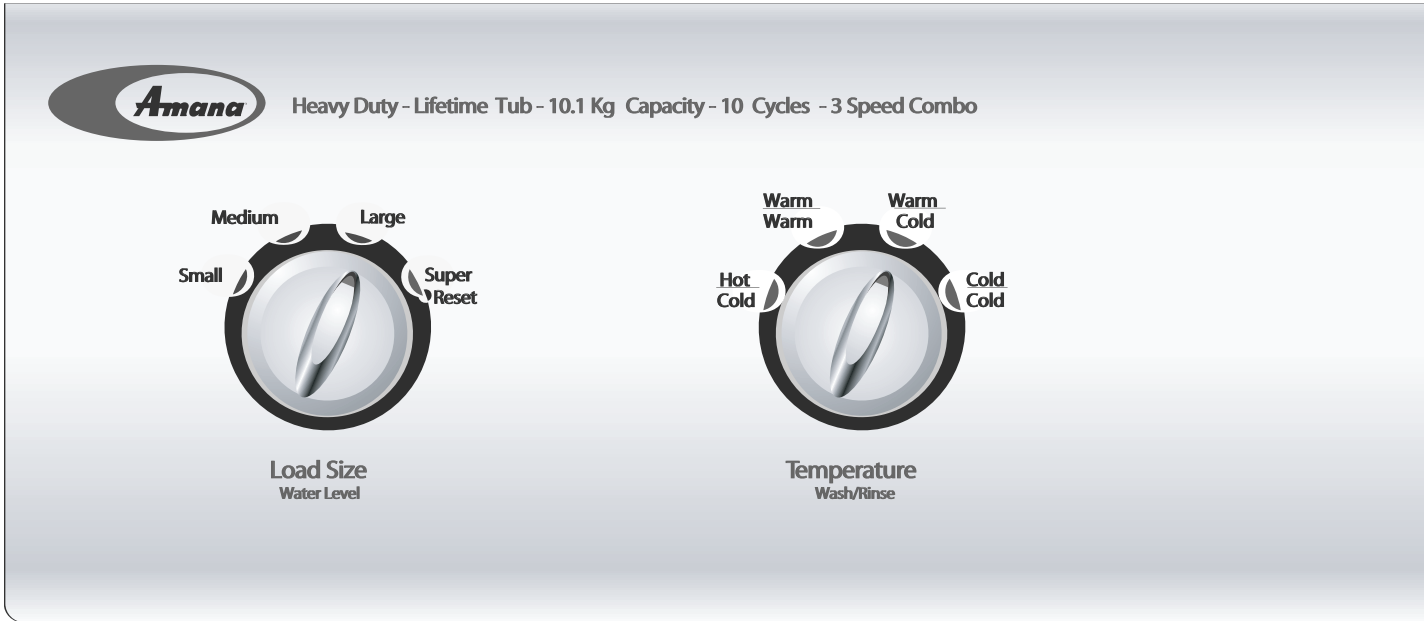
---

## **Additional Tips**

- During the spin, it is possible for the load to become unevenly distributed in the tub. If this happens, push **in** the control dial, open the lid, redistribute the load, close the lid and restart the washer. The spin will resume at the point it was interrupted.
- The washer will pause briefly throughout each cycle. These pauses are normal.
- This washer is designed so that it **will not** agitate or spin when the lid is open. It will, however, fill with the lid open so water is available for pretreating stains or diluting fabric softener.
- If you open the lid during a spin cycle, the washer will stop. When the lid is closed and the washer is restarted, the washer will continue the cycle at the point it was interrupted.



# Using the Controls – 3 Speed Combo Models



## STEP 1

### Select Water Level

Determine the selected setting based on clothes load size. Selection should provide sufficient water to permit clothes to circulate freely during agitation.

It may become necessary, due to bulky fabrics, to adjust the water level after agitation begins. To adjust the water level, turn the control to **Reset** and then back to the desired setting.

WATER LEVEL SETTING	LOAD SIZE
Small	1/4 - 1/3
Medium	1/3 - 1/2
Large	1/2 - 2/3
Super	2/3 - Full

**Note:** Items must circulate freely for best results.

## STEP 2

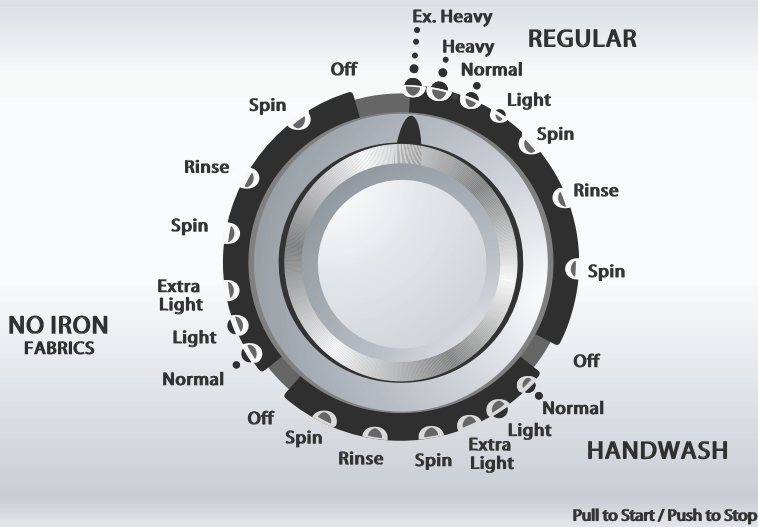
### Select Wash/Rinse Temperature

Your washer gives you a choice of hot, warm or cold water for washing and cold or warm water (select models) for rinsing. Use the chart below as a guide.

WASH/RINSE TEMPS	LOAD TYPE
Hot/Cold	White and heavily soiled, color-fast items.
Warm/Warm	Moderately soiled, colored items.
Warm/Cold	Moderately soiled, colored items; most permanent press items.
Cold/Cold	Brightly colored, lightly soiled items; washable woolens.

**Note:** In wash water temperatures below 60° F (16° C), detergents **do not** dissolve well or clean well. Care labels define cold water as up to 85° F (29° C).

Control features vary by model.



### STEP 3

## Select Cycle

To select a cycle, push the control dial **in** (off position) and turn it to the *right* (clockwise) until the pointer is at the soil level needed for the wash load in the REGULAR, HANDWASH or NO IRON FABRICS cycles.

### REGULAR Cycle

Provides normal agitation and normal spin speeds to wash cottons and heavily soiled items. For maximum cleaning, set the dial at **Ex Heavy**.

### NO IRON FABRICS Cycle

Provides normal agitation and normal spin speeds with a spray rinse to reduce wrinkling.

### HANDWASH Cycle

Provides slow agitation speed and slow spin speed for delicates and knits.

### STEP 4

## Pull Control Dial Out to Start

You may stop the washer at any time by simply pushing the control dial **in**. Therefore it is possible to obtain a non-agitated soak or to shorten, skip or repeat any part of a cycle. The control dial must be pushed **in** (off position) when you change the setting.

**Note:** Do not attempt to turn the control dial *counterclockwise*. Damage to the timer will result.



# Special Features

## Liquid Bleach Dispenser

The dispenser automatically dilutes liquid chlorine bleach before it reaches your wash load. To use, follow these steps:

1. Measure liquid chlorine bleach carefully, following the instructions on the bottle.
2. **Pour liquid chlorine bleach into the bleach dispenser** before adding the load. Avoid splashing or over-filling the dispenser.



### Notes:

- **Never** pour undiluted liquid chlorine bleach directly onto the load or into the wash tub. It is a powerful chemical and can cause fabric damage, such as tearing or color loss, if not used properly.
- If you prefer to use color-safe, non-chlorine bleach, pour it into the wash tub with your detergent. **Do not** pour non-chlorine bleaches into the bleach dispenser.

## Fabric Softener Dispenser

(select models)

The dispenser automatically releases liquid fabric softener at the proper time during the cycle.

**To use, follow these steps:**

1. Pour a measured amount of fabric softener into the dispenser to fill line only.
2. If fabric softener comes below line, add warm water.

**If it is necessary to clean the dispenser:**

1. Pull the dispenser off of the top of the agitator.
2. Soak for one hour in sink or container in hot water and dishwashing liquid.
3. Hold hands over top and bottom of dispenser and shake to loosen buildup.
4. Rinse with clean, hot water.
5. Repeat process if necessary.
6. Replace dispenser on agitator.



**Do not use dishwashing liquid inside the washer.** Oversudsing can occur.

## Automatic Lint Filtering System

***The Lint Filtering System does not require cleaning.***

Wash and rinse water is filtered and re-filtered continuously to trap lint shed by most fabrics during the agitation cycle before it can be redeposited on the wash load. The engineered hole design on the wash basket, in conjunction with water flow produced by the agitator, traps lint away from the clothes between the inner wash basket and the outer tub. Lint is automatically flushed from the washer during the spin cycle.

## Safety Spin

If for any reason you open the washer lid when the washer is in a spin or extract period, the operation will immediately stop. This is for your personal safety. If your washer does not stop, call your service technician immediately. When the lid is closed, the operation will automatically resume.



## Special Features

### Unbalanced Spin Load Compensator

Your new washer is designed to handle out-of-balance loads without shutting down or interrupting the washing cycle.

For this reason, the cycle will always be completed. If heavier fabrics in such out-of-balance loads should ever contain excessive moisture at the completion of the cycle, redistribute the clothes in the washer and reset the control dial for the final spin period.



## Care & Cleaning

1. After washing, leave the lid open until the interior is dry.
2. Check hoses to be sure there are no kinks or knots.
3. Your washer **should not** be installed where temperatures will go below freezing, as damage to the washer could result.
4. To clean, occasionally wipe exterior with a clean damp sponge or cloth. **Do not** use polish on plastic parts.
5. Lifetime lubrication is done at the factory, so your washer never needs to be oiled or greased.
6. **Do not** lay heavy or sharp objects on top of your washer.
7. The top of the washer **should not** be used for removing stains from garments. Some stain removers, such as rust remover, will mar the finish.
8. Remove pins, buckles or other sharp objects from clothes to prevent scratching interior parts.
9. Clothes **should not** be stored in washer.
10. Bleach, detergent, solvents, etc. spilled on the top of your washer that are allowed to remain will remove the glossy finish. Remove all spills with a damp, soft cloth.
11. If you close your home for the winter, have a service technician drain the washer. Unplug cord from electrical outlet and disconnect hoses from faucets.

### Overload Protector

A built-in protector automatically shuts off the washer motor in case of an overload. This can occur if:

- The load being washed is too heavy.
- Too many appliances are plugged into the line operating your washer.
- A low voltage condition exists on the line.
- Lid is opened and closed repeatedly.

The overload protector permits the washer to start again when the motor has cooled to a safe operating temperature. If the motor stops repeatedly, call your service technician.

### Cleaning the Interior

Clean the interior of the washer periodically to remove any dirt, soil, odor, mold, mildew or bacteria residue that may remain in the washer as a result of washing clothes. We recommend taking the following steps every 60 to 120 days to clean and freshen your washer interior. The frequency with which the washer should be cleaned and freshened depends on factors such as usage, the amount of dirt, soil or bacteria being run through your washer, or the use of cold water. Failure to follow these instructions may result in unsatisfactory conditions, including unpleasant odor and/or permanent stains on the washer or wash load.

#### To clean and freshen the washer interior:

1. Add a measured amount of chlorine bleach to the bleach dispenser, following package directions.
2. Add 1/4 cup of detergent to the tub.
3. Run the washer without a load through a complete cycle using hot water.
4. Repeat the process if necessary.

# Troubleshooting

<b>Won't Fill</b>	<ul style="list-style-type: none"> <li>• Plug cord into live electrical outlet.</li> <li>• Check fuse or reset circuit breaker.</li> <li>• Turn the control dial to proper cycle and restart the washer.</li> <li>• Turn both faucets <b>on</b> fully.</li> <li>• Straighten inlet hoses.</li> <li>• Disconnect hoses and clean screens. Hose filter screens may be plugged.</li> </ul>
<b>Won't Agitate</b>	<ul style="list-style-type: none"> <li>• Check fuse or reset circuit breaker.</li> <li>• Make sure the lid is completely closed.</li> <li>• Turn the control dial to proper cycle and restart the washer.</li> <li>• Pauses are normal. Wait and see if the washer will start again.</li> </ul>
<b>Won't Spin or Drain</b>	<ul style="list-style-type: none"> <li>• Check fuse or reset circuit breaker.</li> <li>• Straighten drain hoses. Eliminate kinked hoses. If there is a home drain restriction, call for drain service.</li> <li>• Close lid and restart the washer. For your safety, washer will not spin unless the lid is closed.</li> <li>• Suds lock – caused by too much suds. Rewash without detergent. Use correct amount of a low-sudsing detergent.</li> </ul>
<b>Load is Wet</b>	<ul style="list-style-type: none"> <li>• Unevenly distributed load. Redistribute the load, close the lid and restart the washer. Check for leveling. Be sure water level is acceptable for load size.</li> <li>• A normal spin speed is recommended for heavy loads like jeans or towels.</li> </ul>
<b>Stops</b>	<ul style="list-style-type: none"> <li>• Plug cord into live electrical outlet.</li> <li>• Check fuse or reset circuit breaker.</li> <li>• Close lid and restart the washer. For your safety, washer will not agitate or spin unless lid is closed.</li> <li>• This may be a pause in the cycle. Wait briefly and it may start.</li> </ul>
<b>Leaks Water</b>	<ul style="list-style-type: none"> <li>• Make sure hose connections are tight.</li> <li>• Make sure end of drain hose is correctly inserted and secured to drain facility.</li> <li>• Avoid extended soaking – soak for 30 minutes or less.</li> <li>• Avoid overloading.</li> </ul>
<b>Is Noisy</b>	<ul style="list-style-type: none"> <li>• Be sure washer is leveled properly as outlined in installation manual.</li> <li>• Weak floors can cause vibration and walking.</li> <li>• Operating sounds will vary depending on agitation speed.</li> </ul>
<b>Fills with the Wrong Temperature Water</b>	<ul style="list-style-type: none"> <li>• Turn both faucets <b>on</b> fully.</li> <li>• If equipped with a temperature selector knob, be sure it is set directly on a temperature setting and not between settings.</li> <li>• Make sure temperature selection is correct.</li> <li>• While the washer is filling, you may notice just hot and/or just cold water entering the tub when cold or warm wash temperatures are selected.</li> <li>• Make sure hoses are connected to correct faucets and inlet connections. Be sure water supply is regulated correctly. Flush water line before filling washer.</li> <li>• Check the water heater. It should be set to deliver a minimum 120° F (49° C) hot water at the tap. Also check water heater capacity and recovery rate.</li> <li>• Disconnect hoses and clean screens. Hose filter screens may be plugged.</li> </ul>
<b>Cycle Selector Advances Through Off</b>	<ul style="list-style-type: none"> <li>• <b>Extra Rinse</b> (select models) is selected.</li> </ul>

# Amana®

10.1 Kg

NAV-2

# Laveuse

**Guide d'utilisation et d'entretien**

## Table des matières



**Importantes consignes  
de sécurité** ..... 11-12



**Fonctionnement** ..... 13-14



**Utilisation des commandes  
Modèles à trois vitesses** .... 15-16



**Caractéristiques  
spéciales** ..... 17-18



**Nettoyage et entretien** ..... 18



**Recherche des pannes** .. 19-20

**Guía de uso y cuidado** ..... 22



# Importantes consignes de sécurité

**Installateur :** Veuillez laisser le présent guide avec l'appareil.

**Client :** Veuillez lire le présent guide et le conserver pour référence future. Conservez aussi les reçus de caisse et les chèques oblitérés à titre de preuve d'achat.

Préparez les numéros de modèle et de série identifiant votre appareil. Ceux-ci se trouvent sur la plaque signalétique situé à gauche de l'ouverture de la porte de votre appareil. Notez ces numéros ci-dessous :

Numéro de modèle \_\_\_\_\_

Numéro de série \_\_\_\_\_

Date d'achat \_\_\_\_\_

En raison de nos efforts constants d'amélioration de la qualité de nos appareils électro-ménagers, il se peut qu'une laveuse soit modifiée sans que le guide soit révisé.

**Remarque :** Lors de tout contact auprès, service à la clientèle et concernant un problème, veuillez fournir l'information suivante :

- Vos nom, adresse et numéro de téléphone ;
- Numéro de modèle et numéro de série ;
- Nom et adresse du détaillant avec la date l'appareil acheté ;
- Description claire du problème observé ;
- Preuve d'achat.

## Ce qu'il faut savoir à propos des consignes de sécurité

Les consignes de sécurité et les mises en garde présentées dans ce guide ne couvrent pas toutes les situations possibles. Faire preuve de jugement, de prudence et d'attention lors de l'installation, de l'entretien et de l'utilisation de l'appareil.

Lorsque survient un problème ou une situation inhabituelle, toujours communiquer avec le fabricant.

## Reconnaissez les étiquettes, phrases ou symboles sur la sécurité

### AVERTISSEMENT

**AVERTISSEMENT** – Risques ou pratiques non sûres, qui **POURRAIENT** résulter en de graves blessures ou même la mort.

### ATTENTION

**ATTENTION** – Risques ou pratiques non sûres qui **POURRAIENT** résulter en blessures mineures.

### AVERTISSEMENT ! RISQUE D'INCENDIE

**Ne pas** ajouter d'essence, de solvants de nettoyage à sec ou toute autre substance inflammable ou explosive à l'eau de lavage. Ces substances produisent des vapeurs qui pourraient s'enflammer ou exploser.

**Ne pas** laver d'articles qui ont auparavant été nettoyés, lavés, trempés ou détachés à l'aide d'essence, de solvants de nettoyage à sec, d'huiles, de cires, de solvants chimiques, d'alcool, de térébenthine ou d'autres produits explosifs ou inflammables. Ces substances resteront incrustées dans les articles, et ceux-ci produisent des vapeurs qui peuvent s'enflammer ou exploser.

Suivre ces précautions lors de l'utilisation de produits nettoyants liquides, de détachants, etc. Ces produits doivent porter la mention « ininflammable ». Utiliser conformément aux directives du fabricant dans un endroit bien aéré ou à l'extérieur. Rincer à fond les articles à la main avant de les mettre dans la laveuse. Certains produits – ceux qui enlèvent la rouille par exemple – peuvent endommager les pièces et la finition de la laveuse.

Éviter toute accumulation de matériaux combustibles, tels que la charpie, le papier, les chiffons, l'essence et autres vapeurs et liquides inflammables, sous la laveuse et autour de celle-ci.

**L'HYDROGÈNE EST UN GAZ EXPLOSIF!** Dans certaines conditions, il peut y avoir production d'hydrogène dans un système de chauffage d'eau qui n'est pas utilisé pendant deux semaines ou davantage. Si le système de chauffage d'eau n'a pas été utilisé pendant une telle durée, ouvrir tous les robinets d'eau chaude et laisser couler l'eau pendant plusieurs minutes avant d'utiliser la laveuse. Ceci élimine toute accumulation d'hydrogène. Ce gaz étant inflammable, **ne pas** fumer ni utiliser de flamme vive pendant cette procédure.

Des études récentes ont démontré que si les substances contaminées d'huile végétale ne sont pas complètement nettoyées, une accumulation d'huile peut provoquer une réaction chimique (combustion spontanée) qui pourrait causer un incendie. Cela risque davantage de survenir lorsque les vêtements sont laissés dans la sècheuse après que le tambour ait cessé de tourner ou que les articles sont pliés et empilés avant que la chaleur ne se soit dissipée.



# Importantes consignes de sécurité

## ⚠ AVERTISSEMENT

Pour réduire les risques d'incendie, d'explosion, d'électrocution ou de blessures lors de l'utilisation de cet appareil, suivre les précautions d'usage, dont les suivantes :

1. Lire toutes les instructions avant d'utiliser la laveuse.
2. Comme avec tout équipement fonctionnant à l'électricité et comportant des pièces mobiles, il existe toujours des possibilités de danger. Pour utiliser cette machine dans les meilleures conditions de sécurité, l'opérateur doit se familiariser avec les instructions de fonctionnement de l'appareil et user de prudence pendant son utilisation.
3. **Ne pas** installer ni remiser la laveuse dans un endroit où elle est exposée aux intempéries.
4. Installer la laveuse et la mettre de niveau sur un plancher pouvant supporter son poids.
5. Cet appareil doit être correctement mis à la terre. **Ne jamais** brancher le câble électrique d'une laveuse sur une prise murale non mise à la terre conformément aux codes locaux et nationaux. Voir les instructions d'installation pour la mise à la terre de cette machine.
6. Pour éviter les risques d'incendie ou d'explosion :
  - a. **Ne pas** laver d'articles qui ont auparavant été nettoyés ou lavés à l'aide d'essence, de solvants de nettoyage à sec ou d'autres produits explosifs ou inflammables, ou qui en sont imbibés ou éclaboussés, car ces substances produisent des vapeurs qui peuvent s'enflammer ou exploser. Laver à la main et sécher à l'air tout article contenant ces substances.

Tout tissu sur lequel des solvants de nettoyage ont été utilisés ou qui est saturé de liquides ou solides inflammables **ne doit pas** être mis dans la laveuse avant que toute trace et toute vapeur de ces liquides ou solides ne soient complètement éliminées.

Ces produits comprennent l'acétone, l'alcool dénaturé, l'essence, le kérosène, certains produits de nettoyage ménagers, les détachants, la térébenthine, les cires et les décapants de cire.
  - b. **Ne pas** ajouter d'essence, de solvants de nettoyage à sec ou toute autre substance inflammable ou explosive à l'eau de lavage. Ces substances produisent des vapeurs qui pourraient s'enflammer ou exploser.
  - c. Dans certaines conditions, il peut y avoir production d'hydrogène dans un système de chauffage d'eau qui n'est pas utilisé pendant 2 semaines ou plus. L'HYDROGÈNE EST UN GAZ EXPLOSIF. Si le système de chauffage d'eau n'est pas utilisé sur une telle durée, ouvrir tous les robinets d'eau chaude et laisser couler l'eau pendant plusieurs minutes avant d'utiliser la laveuse à laver ou votre ensemble machine à laveuse-sècheuse. Ceci élimine toute accumulation d'hydrogène. Ce gaz étant inflammable, ne pas fumer ni utiliser de flamme vive pendant cette procédure.
- d. **Ne pas** laver ou sécher d'articles tachés d'huile végétale ou de cuisson. Ces articles pourraient être encore imprégnés d'huile après la lessive. Pour cette raison, le tissu pourrait émettre des fumées ou prendre feu de lui-même.
7. **Ne pas** mettre la main ou le bras dans la laveuse si l'agitateur ou cuve est en mouvement.
8. **Ne pas** permettre aux enfants ou aux animaux familiers de jouer sur l'appareil, à l'intérieur ou en face de celui-ci. Une supervision étroite est nécessaire lorsque l'appareil est utilisé à proximité d'enfants ou d'animaux familiers.
9. **Ne pas** modifier les mécanismes de commande.
10. Ne pas réparer ou remplacer une pièce de la laveuse ou procéder à un dépannage, sauf si les instructions publiées le recommandent et que la personne effectuant la réparation les comprend et possède les connaissances voulues pour les exécuter.
11. Débrancher le cordon d'alimentation électrique avant d'essayer de réparer la laveuse. Les réparations ne doivent être effectuées que par du personnel qualifié.
12. L'agitateur **ne doit pas** être retiré. S'il est retiré, le replacer en l'enfonçant à fond, puis serrer la vis de blocage avant de faire fonctionner la laveuse.
13. Conserver tous les produits de lessive, les détergents, les produits de blanchiment, etc., hors de portée des enfants, et de préférence dans une armoire fermée à clé. N'utiliser ces produits que selon les directives du fabricant. Observer tous les avertissements paraissant sur les étiquettes des différents produits.
14. S'assurer que toute la zone autour de la laveuse et en dessous, soit dégagée de toute accumulation de matériaux combustibles comme charpie, papier, chiffons, essence et tout autre liquide ou vapeur inflammable.
15. **Ne pas** mélanger de javellisant et d'ammoniaque ou d'acides (tels que du vinaigre ou du produit pour enlever la rouille) pour une même charge de linge. Des vapeurs nocives peuvent se former.
16. **Ne pas** laver d'articles en fibre de verre à la laveuse. De petites particules peuvent se coller sur le linge lavé par la suite et provoquer des irritations cutanées.
17. Apprêts résistants aux flammes – suivre attentivement les instructions du fabricant du vêtement. Un vêtement incorrectement lavé ou séché pourrait perdre son apprêt ignifuge.
18. Avant de mettre la laveuse hors service ou au rebut, retirer la porte du compartiment de lavage.
19. Les tuyaux d'alimentation se détériorent progressivement. Inspecter les tuyaux à intervalle régulier; rechercher dilatations, écrasements, coupures, fuites et indices d'usure. Remplacer les tuyaux après 5 ans de service.

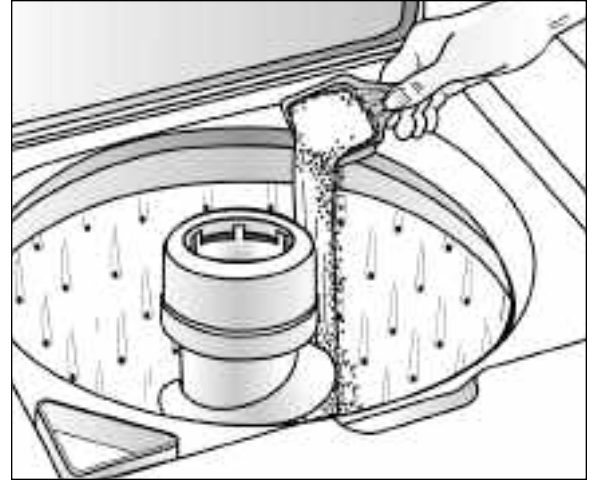
**CONSERVER CES INSTRUCTIONS**



# Fonctionnement

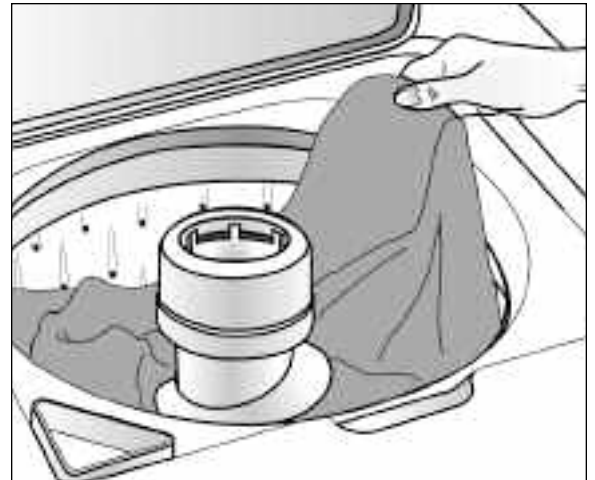
## Détergent

- Utiliser du détergent liquide ou en poudre. **Pour des résultats optimums, ajouter suffisamment de détergent dans la laveuse AVANT de la remplir et régler la température de l'eau à plus de 16° C (60° F).**
- Utiliser la quantité de détergent qui convient à la charge, au degré de saleté et à la dureté de l'eau. Utiliser plus de détergent si l'eau est dure et que la charge est très sale.  
Si l'eau est douce ou que la charge est peu sale, utiliser moins de détergent. (Voir les instructions du fabricant.)
- Essuyer la laveuse si elle se trouve éclaboussée de détergent.



## Chargement

- Pour des résultats optimums, mettre du détergent dans la cuve avant d'ajouter le linge.
- Mettre le linge sec, non plié sans le tasser dans la laveuse, en remplissant le panier jusqu'au rang supérieur de trous pour une charge maximum.
- **Ne pas** enrouler de grands articles tels que des draps autour de l'agitateur.
- Pour une meilleure circulation, mélanger les petits et les grands articles. Laver les articles volumineux comme les couvertures séparément.
- Lors du lavage d'articles infroissables, fragiles, de lainages lavables ou d'articles en tricot à mailles lâches, ne jamais utiliser un niveau d'eau inférieur au réglage Medium (moyen). Ils auront moins tendance à rétrécir, à se froisser et les coutures tiendront mieux.
- Refermer soigneusement le couvercle pour qu'il ne claque pas.





# Fonctionnement

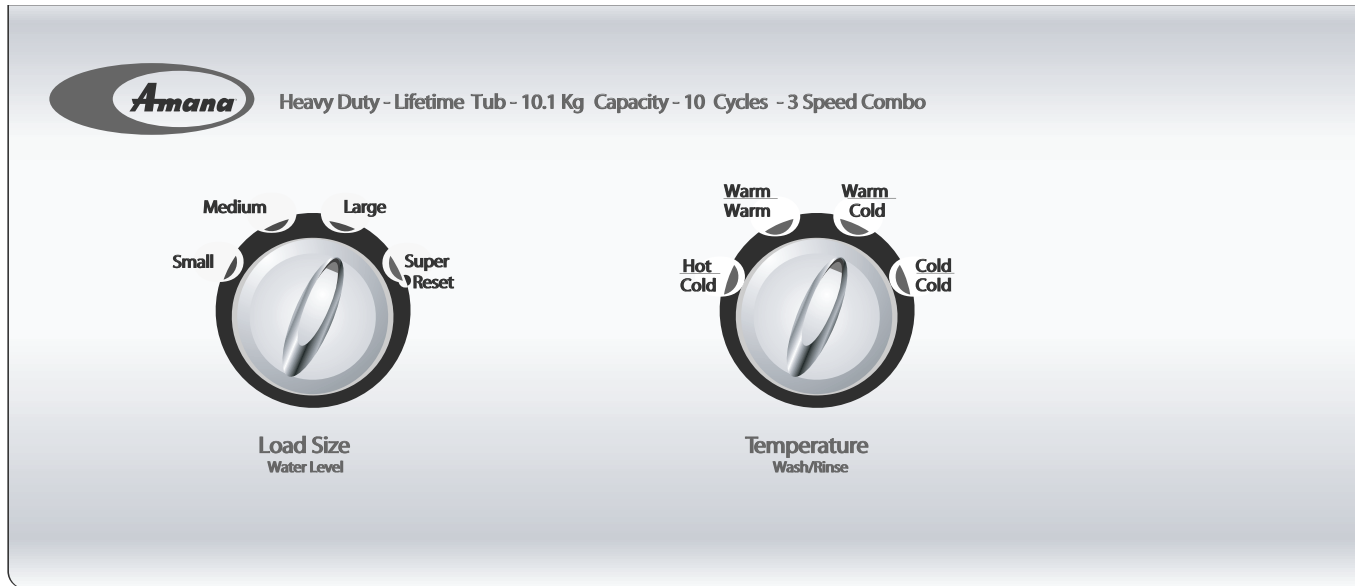
## Conseils supplémentaires

- Il est possible que la charge puisse être déséquilibrée pendant l'essorage. Si cela se produit, **pousser** sur le sélecteur, ouvrir le couvercle, rééquilibrer la charge, fermer le couvercle et mettre la laveuse en marche. L'essorage reprend au point où il s'était interrompu.
- Cette machine effectue des pauses à plusieurs reprises au cours d'un cycle de lavage. Ces pauses momentanées font partie de son fonctionnement normal.
- Cette laveuse est conçue pour **ne pas** essorer lorsque que le couvercle est ouvert. Toutefois, elle se remplit et l'agitation a lieu même si le couvercle est ouvert pour que l'eau soit disponible pour permettre le pré-lavage des taches ou la dilution de l'adoucissant.
- Si le couvercle est ouvert au cours d'un cycle d'essorage, la laveuse s'arrête. Une fois le couvercle fermé et la laveuse en marche, le cycle reprend là où il avait été interrompu.



# Utilisation des commandes

## modèles à trois vitesses



### ÉTAPE 1

#### Sélection du niveau d'eau

Régler le sélecteur sur le réglage correspondant à la grosseur de la charge. Cette sélection devrait fournir le niveau d'eau suffisante pour permettre la circulation de la charge au cours de l'agitation.

Il peut s'avérer nécessaire, en raison de l'épaisseur de certains tissus, de régler le niveau d'eau après le début de l'agitation. Pour régler le niveau d'eau, placer le sélecteur sur la position **Reset** (Nouveau réglage), puis le positionner en face de la quantité d'eau désirée.

RÉGLAGE DU NIVEAU D'EAU	GROSSEUR DE LA CHARGE
<b>Small</b> (Petit)	1/4 - 1/3
<b>Medium</b> (Moyen)	1/3 - 1/2
<b>Large</b> (Élevé)	1/2 - 2/3
<b>Super</b> (Gros)	2/3 - plein

**Remarque :** Pour des résultats optimums, le linge doit circuler librement.

### ÉTAPE 2

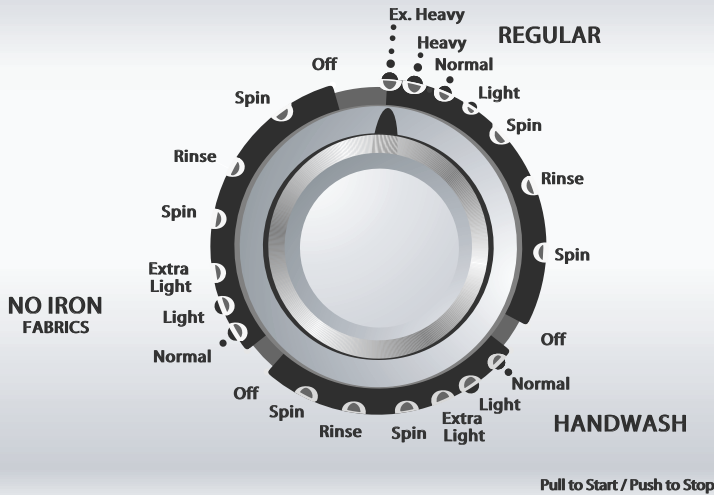
#### Sélection de la température de l'eau de lavage/rinçage

La température de l'eau de lavage peut être chaude, tiède ou froide, tandis que la température de l'eau de lavage/rinçage de l'eau peut être tiède ou froide (certains modèles). Le tableau présenté ci-dessous sert de guide.

TEMPÉRATURE LAVAGE/RINÇAGE	TYPE DE CHARGE
<b>Hot/Cold</b> (Chaude/Froid)	Blancs et couleurs bon teints très sales.
<b>Warm/Warm</b> (Tiède/Tiède)	Articles de couleur modérément sales.
<b>Warm/Cold</b> (Tiède/Froide)	Articles de couleur modérément sales ; la plupart des articles infroissables.
<b>Cold/Cold</b> (Froide/Froide)	Articles aux couleurs vives, peu sales ; lainages lavables.

**Remarque :** À moins de 16° C, (60° F), l'eau est trop froide pour dissoudre les détergents en poudre et les activer. Les étiquettes d'entretien considèrent l'eau froide jusqu'à 29° C (85° F).

Les caractéristiques des commandes et le style varient selon le modèle.



### ÉTAPE 3

## Sélection du cycle

Pour sélectionner un cycle, **pousser** sur le sélecteur (en position arrêt) et le tourner vers la *droite* (dans le sens des aiguilles d'une montre) jusqu'à ce que la flèche soit vis-à-vis le niveau de saleté requis en le cycle REGULAR (Tissus normal), NO IRON FABRICS (Tissus infroissables), ou HANDWASH (Tricots et tissus délicats) désiré.

### REGULAR Cycle

#### (Cycle pour tissus normal)

Procure une vitesse d'agitation et d'essorage normale pour laver les articles en coton et le linge très sale. Pour un lavage optimum, régler le sélecteur à la position **Ex. Heavy** (extra-robuste).

### NO IRON FABRICS Cycle

#### (Cycle pour tissus infroissables)

Fournit des vitesses d'agitation et d'essorage normales avec un rinçage par projection pour réduire le froissement des tissus.

### HANDWASH CYCLE (Cycle lavage manuel)

Fournit une vitesse de brassage et d'essorage lente pour le linge délicat et la laine.

### ÉTAPE 4

## Tirer le sélecteur pour mettre en marche

la laveuse peut être arrêtée à tout moment en **poussant** sur le sélecteur. Il est alors possible d'obtenir un trempage sans agitation ou de raccourcir, sauter ou répéter toute partie d'un cycle. Le sélecteur doit être **enfoncé** (position arrêt) lorsque le réglage est modifié.

**Remarque:** Ne pas tourner le sélecteur dans le sens *contraire des aiguilles* d'une montre car la minuterie pourrait se trouver endommagée.

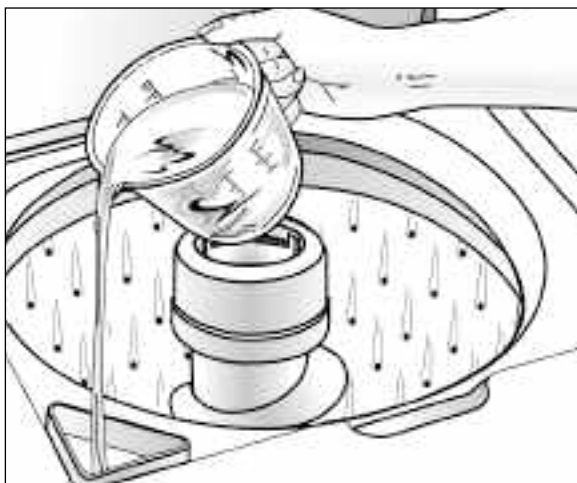


# Caractéristiques spéciales

## Distributeur de javellisant liquide

Le distributeur dilue automatiquement le javellisant liquide avant qu'il atteigne le linge. Pour l'utiliser, procéder comme suit :

1. Mesurer la quantité de javellisant liquide avec soin en suivant les instructions sur le récipient.
2. **Verser le javellisant liquide dans le distributeur avant d'ajouter le linge.** Éviter les éclaboussures ou le débordement du distributeur.



### Remarques :

- **Ne jamais** verser de javellisant liquide non dilué directement sur le linge ou dans la cuve. Ce produit chimique est puissant et peut endommager les tissus, en les déchirant ou décolorant, s'il n'est pas utilisé correctement.
- Lorsqu'un javellisant sans chlore et sans danger pour les couleurs est utilisé, le verser dans la cuve avec le détergent. **Ne pas** verser de javellisant sans chlore dans le distributeur de javellisant.

## Distributeur d'assouplissant (certains modèles)

Ce distributeur ajoute d'assouplissant liquide au moment voulu du cycle.

**Pour l'utiliser, procéder comme suit :**

1. Verser la quantité voulue de liquide dans le godet, jusqu'au repère de remplissage seulement.
2. Si le liquide n'atteint pas le repère, ajouter de l'eau tiède.

**S'il devient nécessaire de nettoyer le distributeur :**

1. Retirez le distributeur du haut de l'agitateur.
2. Trempez-le pendant une heure dans l'évier ou dans un récipient dans une solution d'eau chaude et de détergent liquide pour la vaisselle.
3. Mettez les mains sur le dessus et le dessous du distributeur et secouez-le, pour déloger les dépôts des côtés du distributeur.
4. Le rincer à l'eau chaude.
5. Répétez au besoin le processus.
6. Remettre le distributeur sur l'agitateur.



**N'utilisez pas de liquide pour la vaisselle à l'intérieur de la laveuse,** il y aurait risqué d'un excès de mousse.

## Filtre à charpie auto-nettoyant

**Le filtre à charpie auto-nettoyant ne nécessite aucun entretien.**

L'eau de lavage et de rinçage est filtrée et filtrée continuellement pour retenir la charpie laissée par la plupart des tissus durant le cycle d'agitation avant d'être déposée de nouveau sur le linge. La conception des trous percés dans la cuve de lavage et le débit d'eau produit par l'agitateur permettent conjointement de retenir la charpie entre la cuve intérieure de lavage et la cuve extérieure. La charpie est automatiquement évacuée de la laveuse pendant le cycle d'essorage.

## Essorage sécuritaire

Si pour une raison quelconque le couvercle de la laveuse est ouvert pendant le cycle d'essorage ou la période d'extraction, l'essorage sera interrompu immédiatement pour votre sécurité. Si la laveuse ne s'arrête pas, appeler immédiatement un technicien. Lorsque le couvercle est refermé, l'essorage se poursuit automatiquement.



# Caractéristiques spéciales

## Compensateur de charge déséquilibrée pendant l'essorage

Cette laveuse est conçue pour contenir des charges déséquilibrées sans s'arrêter ou interrompre le cycle de lavage.

Pour cette raison, le cycle sera toujours complété. Si des tissus plus épais contenus dans les charges déséquilibrées renferment un surplus d'humidité à la fin du cycle, redistribuer le linge dans la laveuse et régler de nouveau le sélecteur pour terminer l'essorage.

## Dispositif de protection contre les surcharges

Un dispositif de protection intégré arrête automatiquement le moteur de la laveuse en cas de surcharge. Cela peut se produire dans l'un des cas suivants :

- Charge trop lourde dans la laveuse.
- Surplus d'appareils ménagers branchés dans la ligne de la laveuse.
- Faible tension sur la ligne.
- Couvercle ouvert et fermé à répétition.

Le dispositif de protection contre les surcharges permet de remettre en marche la laveuse lorsque le moteur a refroidi à une température de fonctionnement sécuritaire.

Si le moteur s'arrête souvent, appeler le technicien.



# Nettoyage et entretien

1. Après le lavage, laisser le couvercle ouvert jusqu'à ce que l'intérieur soit sec.
2. Vérifier les boyaux pour s'assurer qu'il n'y a pas de noeuds ou d'entortillements.
3. la laveuse **ne** doit **pas** être installée où la température descend sous le point de congélation car cela pourrait endommager la laveuse.
4. Essuyer de temps à autre l'extérieur de la laveuse avec une éponge ou un linge propre et humide. **Ne pas** polir les parties en plastique.
5. Une lubrification à vie est effectuée à l'usine ; la laveuse ne nécessite donc aucune huile ou graisse.
6. **Ne pas** déposer d'articles lourds ou tranchants sur le dessus de la laveuse.
7. Le dessus de la laveuse **ne** doit **pas** être utilisé pour détacher les vêtements. Certains détachants, pour la rouille, entre autres, abîmeront le fini.
8. Enlever les épingles, les ceintures et autres objets tranchants des vêtements afin de prévenir les égratignures sur les parties intérieures.
9. Les vêtements **ne** doivent **pas** être rangés dans la laveuse.
10. Les javellisants, détergents, solvants et autres produits qui sont renversés sur le dessus de la laveuse et y demeurent ternissent le fini. Enlever toutes les éclaboussures avec un linge doux et humide.

11. Si vous fermez votre maison durant l'hiver, demandez à un technicien de vider l'eau de la laveuse. Débrancher le cordon d'alimentation de la prise de courant et les boyaux des robinets.

## Nettoyage de l'intérieur

Nettoyer périodiquement l'intérieur de la laveuse pour retirer toutes saletés, odeurs ou bactéries qui resteraient dans la laveuse par suite du lavage du linge. Nous recommandons de suivre les étapes suivantes tous les 60 – 120 jours pour nettoyer et rafraîchir l'intérieur de la laveuse. La fréquence à laquelle la laveuse doit être nettoyée et rafraîchie dépend de facteurs tels qu'utilisation, quantité de saleté ou bactéries passant par la laveuse, ou encore l'utilisation d'eau froide. Le non-respect de ces directives peut entraîner des conditions insatisfaisantes, incluant de mauvaises odeurs et/ou des taches permanentes sur la laveuse ou sur la lessive.

### Pour nettoyer et rafraîchir l'intérieur de la laveuse :

1. Ajouter une quantité mesurée de javellisant dans le distributeur de javellisant, en suivant les instructions données sur le paquet.
2. Ajouter 1/4 tasse de détergent dans la cuve.
3. Faites faire à la laveuse un cycle complet sans linge avec de l'eau très chaude.
4. Répéter au besoin le processus.



# Recherche des pannes

<b>Ne se remplit pas</b>	<ul style="list-style-type: none"><li>• Brancher la laveuse sur une prise murale sous tension.</li><li>• Vérifier le fusible ou réenclencher le disjoncteur.</li><li>• Mettre le sélecteur sur le cycle voulu et mettre la laveuse en marche.</li><li>• <b>Ouvrir</b> les deux robinets à fond.</li><li>• Redresser les boyaux d'arrivée.</li><li>• Débrancher les boyaux et nettoyer les filtres. Les filtres des boyaux pourraient être bouchés.</li></ul>
<b>Ne produit pas d'agitation</b>	<ul style="list-style-type: none"><li>• Vérifier le fusible ou réenclencher le disjoncteur.</li><li>• S'assurer que le couvercle est bien fermé.</li><li>• Mettre le sélecteur sur le cycle voulu et mettre la laveuse en marche.</li><li>• Les pauses sont normales. Attendre pour voir si la laveuse va se remettre en marche.</li></ul>
<b>N'essore pas, ne se vidange pas</b>	<ul style="list-style-type: none"><li>• Vérifier le fusible ou réenclencher le disjoncteur.</li><li>• Redresser les boyaux. Éliminer les boyaux ne pouvant plus être redressés. Si l'évacuation est bouchée, appeler le service après-vente.</li><li>• Fermer le couvercle et mettre la laveuse en marche. Pour des raisons de sécurité, l'essorage ne fonctionne pas si le couvercle est ouvert.</li><li>• Blocage causé par une quantité trop abondante de mousse. Relaver sans détergent. Utiliser une quantité correcte de détergent à mousse réduite.</li></ul>
<b>Linge mouillé</b>	<ul style="list-style-type: none"><li>• La charge est déséquilibrée. Redistribuer le linge, fermer le couvercle et mettre la laveuse en marche. Vérifier que la laveuse est de niveau. S'assurer que le niveau d'eau choisi est suffisant pour la quantité de linge lavée.</li><li>• Une vitesse d'essorage normale est recommandée pour du linge lourd comme jeans et serviettes.</li></ul>
<b>S'arrête</b>	<ul style="list-style-type: none"><li>• Brancher la laveuse sur une prise murale sous tension.</li><li>• Vérifier le fusible ou réenclencher le disjoncteur.</li><li>• Fermer le couvercle et mettre la laveuse en marche. Pour des raisons de sécurité, l'agitation et l'essorage ne fonctionnent pas si le couvercle est ouvert.</li><li>• C'est peut-être simplement une pause du cycle de lavage. Attendre quelques minutes ; il est possible que la laveuse se remette en marche.</li></ul>
<b>Fuit</b>	<ul style="list-style-type: none"><li>• Vérifier que les raccords des boyaux sont bien serrés.</li><li>• S'assurer que l'extrémité du boyau d'évacuation est insérée correctement et bien fixée sur le système d'évacuation.</li><li>• Trempage prolongé ; faire tremper 30 minutes maximum.</li><li>• Éviter de trop mettre de linge.</li></ul>
<b>Est bruyante</b>	<ul style="list-style-type: none"><li>• Vérifier que la laveuse a été mise de niveau tel qu'indiqué dans le manuel de mise en service.</li><li>• Les planchers peu solides peuvent produire des vibrations et le déplacement de la laveuse.</li><li>• Des bruits de fonctionnement varient selon la vitesse de l'agitation.</li></ul>



# Recherche des pannes

<b>Se remplit d'eau à une température incorrecte</b>	<ul style="list-style-type: none"><li>• <b>Ouvrir</b> les deux robinets à fond.</li><li>• Si la laveuse est dotée d'un sélecteur de température, vérifier que celui-ci est bien placé sur une température et non pas entre deux réglages.</li><li>• S'assurer que la température sélectionnée est la bonne.</li><li>• Lors du remplissage de la laveuse, vous pouvez remarquer que soit de l'eau chaude, soit de l'eau froide entre dans la cuve, alors que vous avez choisi des températures d'eau de lavage froide ou tiède.</li><li>• S'assurer que les boyaux sont raccordés aux robinets et raccords d'arrivée d'eau voulus. S'assurer que l'alimentation en eau est correctement réglée. Faire passer de l'eau sous forte pression dans les conduites avant de remplir la laveuse à laver.</li><li>• Vérifier le chauffe-eau. Il doit être réglé pour assurer une eau chaude à 49 °C (120 °F) au robinet. Également vérifier la capacité du chauffe-eau et sa rapidité de chauffage une fois qu'il a été vidé.</li><li>• Déconnecter les boyaux et nettoyer les filtres. Les filtres des boyaux pourraient être bouchés.</li></ul>
<b>Le sélecteur passe automatiquement à un réglage au-delà de Off (Arrêt)</b>	<ul style="list-style-type: none"><li>• Un <b>Extra Rinse</b> (Rinçage supplémentaire)(certains modèles) a été sélectionné.</li></ul>



# **Remarques**

# Amana®

10.1 Kg

NAV-2

# Lavadora

## Guía de uso y cuidado

### Tabla de materias



**Instrucciones importantes  
de seguridad** ..... 23-24



**Sugerencias para  
la operación** ..... 25-26



**Uso de los controles  
Modelos con tres velocidades** ... 27-28



**Características  
especiales** ..... 29-30



**Cuidado y limpieza** ..... 30



**Localización y solución  
de averías** ..... 31-32



# Instrucciones importantes de seguridad

**Instalador:** Deje esta guía con el electrodoméstico.

**Cliente:** Lea y conserve esta guía para futuras referencias. Conserve el recibo de compra y/o el cheque cancelado como comprobante de compra.

Tenga el número completo de modelo y de serie para identificación de su electrodoméstico. Estos se encuentran en el lado izquierdo de la abertura de la puerta de su electrodoméstico. Anote estos números a continuación para su fácil acceso.

Número de modelo \_\_\_\_\_

Número de serie \_\_\_\_\_

Fecha de compra \_\_\_\_\_

En nuestro esfuerzo continuo para mejorar la calidad y el rendimiento de nuestros productos, puede ser necesario hacer cambios a este electrodoméstico sin necesidad de revisar esta guía.

**Nota:** Cuando se ponga en contacto con, atención al cliente acerca de un problema, por favor incluya la siguiente información:

- Su nombre, dirección y número de teléfono.
- Los números de modelo y de serie;
- Nombre y dirección del distribuidor y la fecha de compra;
- Una descripción clara del problema que está experimentando;
- Comprobante de compra;

## Ahora debe conocer las instrucciones de seguridad

Las advertencias y las instrucciones importantes de seguridad que aparecen en esta guía no tienen el propósito de cubrir todas las condiciones posibles que podrían ocurrir. Se debe usar el sentido común, precaución y cuidado cuando se instale, se efectúe mantenimiento o se use el electrodoméstico.

Siempre comuníquese con el o fabricante para los asuntos relacionados con problemas o condiciones que no entienda.

## Reconozca los símbolos de seguridad, advertencias, etiquetas

### **ADVERTENCIA**

**ADVERTENCIA** – Peligros o prácticas no seguras que **PODRÍAN** causar lesión personal grave o mortal.

### **PRECAUCIÓN**

**PRECAUCIÓN** – Peligros o prácticas no seguras que **PODRÍAN** causar lesión personal menos grave.

### **¡ADVERTENCIA! RIESGO DE INCENDIO**

**No** añada al agua de lavado gasolina, solventes de limpieza en seco, ni otras sustancias inflamables o explosivas. Estas sustancias desprenden vapores que se podrían inflamar o explotar.

**No** lave artículos previamente limpiados, lavados, sumergidos o manchados con gasolina, solventes de limpieza en seco, aceite, ceras, solventes químicos, alcohol, trementina u otros materiales inflamables o explosivos. Estas sustancias quedan retenidas en los artículos y es posible que desprendan vapores que se pueden inflamar o explotar.

Observe estas precauciones cuando utilice líquidos de limpieza, productos para quitar manchas, etc. Estos productos deben estar clasificados como “no inflamables”. Utilícelos de acuerdo con las instrucciones del fabricante en una área bien ventilada o al aire libre. Enjuague minuciosamente a mano las prendas que contengan estas sustancias antes de ponerlas en la lavadora. Algunos de estos productos, por ejemplo los productos para quitar manchas de óxido, dañarán los componentes y el acabado de la lavadora.

Mantenga el área alrededor y debajo de la lavadora libre de materiales combustibles tales como pelusa, papel, trapos, gasolina y otros vapores y líquidos inflamables.

**¡EL HIDRÓGENO GASEOSO ES EXPLOSIVO!** Bajo ciertas condiciones, en un sistema de agua caliente que no se ha usado durante dos semanas o más tiempo se puede producir hidrógeno gaseoso. Si el sistema de agua caliente no se ha usado durante ese período, antes de usar la lavadora abra todos los grifos de agua caliente durante varios minutos. Esto permitirá la liberación del hidrógeno gaseoso que se pudiese haber acumulado. Debido a que este gas es inflamable, cuando realice este procedimiento **no** fume ni use una llama abierta.

En estudios recientes se ha demostrado que si los materiales contaminados con aceite vegetal se lavan inadecuadamente, la acumulación del aceite puede contribuir a que ocurra una reacción química (combustión espontánea) que podría causar la inflamación repentina de una carga de ropa. Esto puede suceder con más probabilidad cuando se deja la carga de ropa en la lavadora después de que termina el ciclo de secado o cuando las prendas se doblan y apilan mientras están calientes.



# Instrucciones importantes de seguridad

## ⚠ ADVERTENCIA

Para reducir el riesgo de incendio, explosión, descarga eléctrica o lesiones personales al usar su lavadora, siga las precauciones básicas de seguridad, entre ellas las siguientes:

1. Lea todas las instrucciones antes de usar el electrodoméstico.
2. Al igual que con cualquier equipo que utiliza electricidad y que tiene piezas móviles, existen ciertos riesgos potenciales. Para usar este electrodoméstico con seguridad, el usuario debe familiarizarse con las instrucciones de funcionamiento del electrodoméstico y ejercer siempre cuidado cuando lo usa.
3. **No** instale ni almacene este electrodoméstico donde estará expuesto a las inclemencias del tiempo.
4. Instale y nivele la lavadora sobre un piso firme que pueda soportar el peso.
5. Este electrodoméstico debe ser puesto a tierra de manera apropiada. **Nunca** enchufe el cordón del electrodoméstico en un tomacorriente que no esté debidamente puesto a tierra y de acuerdo con el código nacional y local. Vea las instrucciones de instalación para la puesta a tierra de este electrodoméstico.
6. Para evitar la posibilidad de incendio o explosión:
  - a. **No** lave artículos que han sido previamente limpiados, lavados, sumergidos o manchados con gasolina, solventes de limpiar en seco u otras sustancias inflamables o explosivas pues pueden emitir vapores inflamables o producir una explosión. Lave a mano y cuelgue en una cuerda de secar cualquier artículo que contenga estas sustancias.  
Cualquier material en el cual se haya usado un agente de limpieza o que esté saturado con líquidos o sólidos inflamables, **no** debe ser colocado en la lavadora hasta que todos los restos de estos líquidos o sólidos y sus vapores hayan sido eliminados.  
Estos artículos incluyen acetona, alcohol desnaturalizado, gasolina, keroseno, algunos líquidos de limpieza domésticos, algunos quitamanchas, aguarrás, ceras y quitaceras.
  - b. **No** agregue gasolina, solventes de lavado en seco ni otras sustancias inflamables o explosivas al agua del lavado. Estas sustancias emiten vapores que pueden encenderse o explotar.
  - c. Bajo ciertas condiciones, se puede producir gas hidrógeno en un sistema de agua caliente que no ha sido usado durante dos semanas o más. **EL GAS HIDRÓGENO ES EXPLOSIVO**. Si el sistema del agua caliente no ha sido usado durante tal período, antes de usar una lavadora o una combinación de lavadora y secadora, abra todas las llaves del agua caliente y deje que el agua escurra durante varios minutos. Esto eliminará cualquier gas hidrógeno acumulado. Debido a que el gas es inflamable, no fume ni use una llama abierta durante este período.
- d. **No** lave ni seque artículos que estén sucios con aceite vegetal o de cocinar. Estos artículos pueden contener algo de aceite después de ser lavados. Debido al aceite remanente, la tela puede echar humo o prenderse fuego por sí sola.
7. **No** coloque la mano dentro del electrodoméstico cuando la tina o el agitador esté en movimiento.
8. **No** permita que los niños o animales domésticos jueguen encima, dentro o delante del electrodoméstico. Es necesaria una supervisión estricta cuando el electrodoméstico es usado cerca de los niños o animales domésticos.
9. **No** altere los controles.
10. **No** repare ni reemplace ninguna pieza de la lavadora ni intente efectuar ningún servicio a menos que haya sido recomendado específicamente en las instrucciones de reparación por el usuario y que usted las comprenda y tenga habilidad para efectuarlas.
11. Desenchufe el cordón eléctrico antes de intentar reparar su lavadora. La reparación debe ser efectuada solamente por personal de servicio calificado.
12. El agitador **no** debe ser sacado. Si el agitador se retira, debe ser colocado nuevamente oprimiéndolo hacia abajo completamente y apretando el tornillo de bloqueo antes de que la lavadora sea usada.
13. Mantenga todos los aditivos del lavado, tales como detergentes, blanqueador, etc. fuera del alcance de los niños, preferiblemente en un armario con llave. Use los aditivos del lavado solamente de acuerdo con las instrucciones del fabricante. Observe todas las advertencias en las etiquetas de los envases.
14. Mantenga el área alrededor y debajo de la lavadora sin acumulación de materiales combustibles, tales como pelusa, papel, trapos, gasolina y todos los otros vapores y líquidos inflamables.
15. **No** use blanqueador de cloro ni amoníaco o ácidos (tales como vinagre o desoxidantes) en el mismo lavado. Se pueden formar vapores peligrosos.
16. **No** lave en la lavadora materiales de fibra de vidrio. Se pueden pegar partículas en las ropas que se vayan a lavar a continuación y causar irritación a la piel.
17. Para acabados de telas resistentes a las llamas - siga cuidadosamente las instrucciones del fabricante de la prenda. El lavado inapropiado puede eliminar el acabado.
18. Antes de que la lavadora sea puesta fuera de servicio o descartada, retire la puerta del compartimiento del lavado.
19. Las mangueras de admisión del agua están sujetas a daño y deterioro con el paso del tiempo. Revise periódicamente las mangueras para comprobar que no tengan protuberancias, torceduras, cortes, desgaste o escapes y reemplácelas cada cinco años.

**CONSERVE ESTAS INSTRUCCIONES**



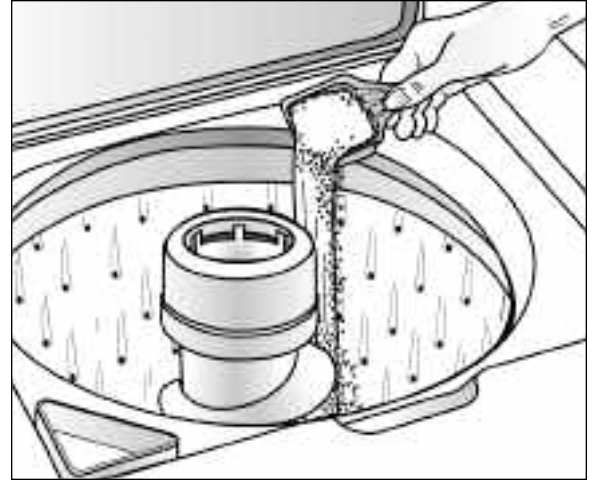
# Sugerencias para la operación

## Detergente

- Utilice detergente líquido o granular para lavar ropa. **Para obtener los mejores resultados, asegúrese de añadir el detergente a la lavadora ANTES de colocar la carga de ropa, y de que el agua de lavado tenga una temperatura mayor que 16° C (60° F).**
- Use la cantidad de detergente adecuada para el tamaño de la carga, el grado de suciedad y las condiciones del agua. Utilice más detergente si el agua es dura y las cargas están muy sucias.

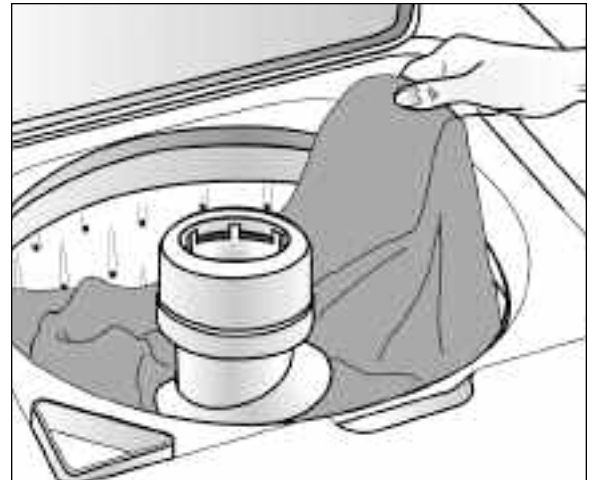
Si el agua es suave o la carga está ligeramente sucia, utilice menos detergente. (Consulte las instrucciones del fabricante.)

- Quite el detergente que caiga en la lavadora.



## Colocación de la carga de ropa

- Para obtener mejores resultados, ponga el detergente en la tina de lavado antes de añadir la carga.
- Coloque en la tina de la lavadora la ropa seca, desdoblada y de manera holgada, hasta la fila superior de orificios en el caso de una carga completa.
- **No** envuelva alrededor del agitador las prendas grandes, como por ejemplo las sábanas.
- Mezcle prendas pequeñas y grandes para obtener la mejor circulación. Lave por separado los artículos voluminosos como por ejemplo cobijas o cobertores.
- Cuando lave artículos de planchado permanente o de hechura delicada, lanas lavables o artículos de tela de punto, nunca use menos del ajuste de agua Medium (Mediano). Esto reducirá al mínimo el encogimiento, arrugado y los tirones de las costuras.
- Cierre cuidadosamente la tapa para evitar golpearla.





# Sugerencias para la operación

---

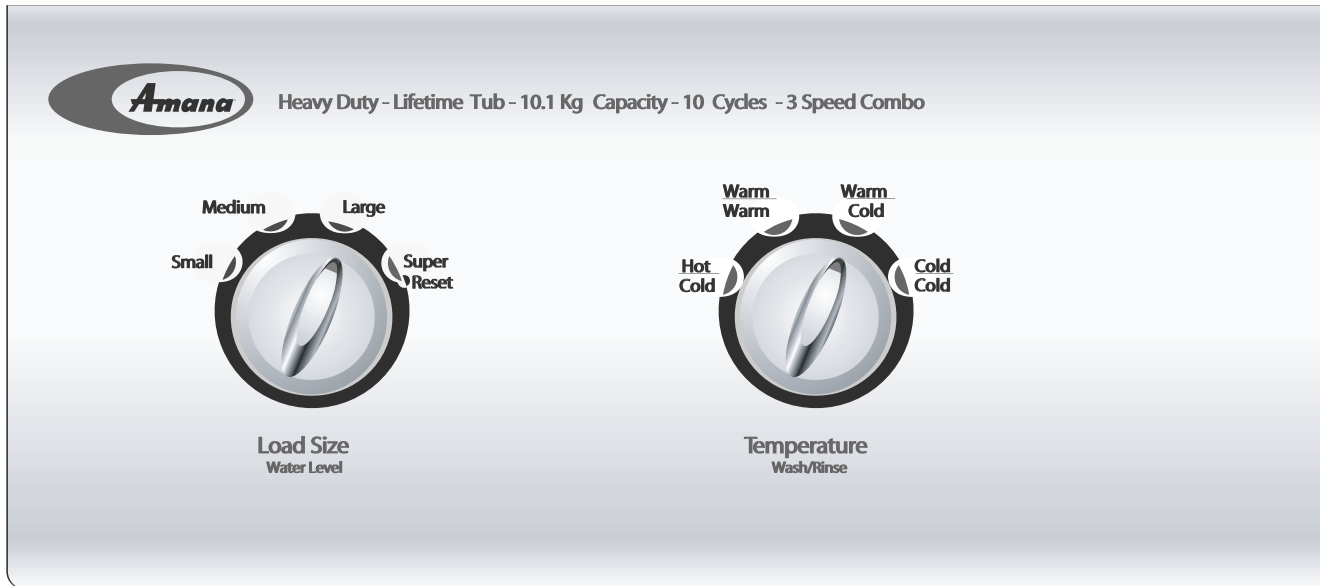
## Sugerencias adicionales

- Es posible que la ropa lleve a estar distribuida de manera no uniforme durante el centrifugado. Si esto sucede, **oprima** la perilla de control, abra la tapa, vuelva a distribuir la ropa, cierre la tapa y vuelva a poner la lavadora en marcha. El centrifugado continuará desde el punto en que fue interrumpido.
- La lavadora se detendrá brevemente a través de cada ciclo. Estas pausas son normales.
- La lavadora está diseñada para que **no** funcione en el ciclo de centrifugado cuando la tapa está levantada. Sin embargo, se puede llenar ciclo de centrifugado con la tapa levantada para permitir el acceso al agua durante el pretratamiento de manchas o para diluir el suavizante de ropa.
- Si usted abre la tapa durante un ciclo, la lavadora se detendrá. Cuando se cierre la tapa y la lavadora se vuelva a poner en marcha, la lavadora continuará el ciclo en el punto en que fue interrumpido.



# Uso de los controles

## modelos con tres velocidades



### PASO 1

#### Selección del nivel del agua

Determine el ajuste de acuerdo con el tamaño de la carga de ropa. Este ajuste debe proporcionar suficiente agua para permitir que la ropa se mueva libremente durante la agitación.

Es posible que sea necesario, como por ejemplo en el caso de telas voluminosas, ajustar el nivel del agua después de que comienza la agitación. Para ajustar el nivel del agua, gire el control hasta **Reset** (Reajustar) y luego vuélvalo a colocar en el ajuste deseado.

AJUSTE DEL NIVEL DEL AGUA	TOMAÑO DE LA CARGA
'Small' (Pequeño)	1/4 - 1/3
'Medium' (Mediano)	1/3 - 1/2
'Large' (Grande)	1/2 - 2/3
'Super' (Super)	2/3 - llena

**Nota:** Los artículos deben moverse libremente para obtener los mejores resultados.

### PASO 2

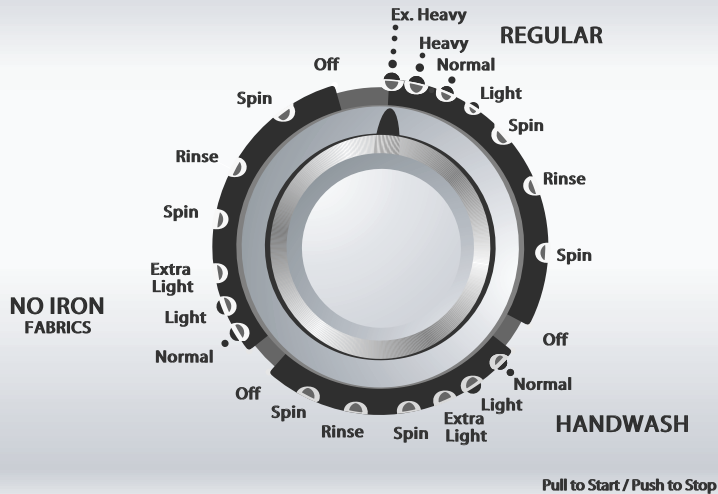
#### Selección de las temperaturas de lavado y enjuague

La lavadora le permite seleccionar entre agua caliente, tibia o fría para lavar, y agua fría o tibia (modelos selectos) para enjuagar. Utilice la siguiente tabla como guía.

TEMP. DE LAVADO/ENJUAGUE	TIPO DE CARGA
'Hot/Cold' (Caliente/Fría)	Ropa blanca y ropa de colores no desteñibles muy sucia
'Warm/Warm' (Tibia/Tibia)	Ropa de color moderadamente sucia.
'Warm/Cold' (Tibia/Fría)	Ropa de color moderadamente sucia; la mayoría de la ropa inarrugable
'Cold/Cold' (Fría/Fría)	Ropa de colores brillantes, ligeramente sucia; lanas lavables

**Nota:** El detergente no se disuelve bien en el agua de lavado con temperatura menor que 16° C (60° F), y por lo tanto **no** limpiará adecuadamente la ropa. Las etiquetas de cuidado de la ropa definen agua fría como aquella con una temperatura de hasta 29,4° C (85° F).

Las características de control y los estilos varían según el modelo.



### PASO 3

## Selección del ciclo

Para seleccionar un ciclo, **presione** (posición de apagado) el disco de control y hágalo girar hacia la *derecha* (sentido horario) hasta que el indicador apunte al nivel del suciedad necesario para la carga de ropa en los ciclos 'REGULAR' (Regular), 'NO IRON FABRICS' (Telas no planchables) o 'HANDWASH' (Lavado a mano).

### Ciclo REGULAR (Ciclo regular)

Permite velocidades normales de agitación y de centrifugado para lavar ropa de algodón y ropa muy sucia. Para obtener la máxima limpieza ajuste el disco en el número **Ex. Heavy**.

### Ciclo 'NO IRON FABRICS' (Telas no planchables)

Proporciona velocidades normales de agitación y centrifugado con un enjuague rociado para reducir las arrugas.

### Ciclo 'HANDWASH' (Lavado a mano)

Proporciona velocidad normal de agitación y lenta de centrifugado para telas delicadas y tejidas.

### PASO 4

## Tire del disco de control para comenzar

Puede detener el funcionamiento de la lavadora en cualquier momento **presionando** el disco de control. Por lo tanto, es posible realizar un remojo sin agitación o acortar, pasar por alto o repetir cualquier parte de un ciclo. El disco de control debe estar **presionado** (en la posición de apagado) cuando cambie el ajuste.

**Nota:** No intente girar el disco de control hacia la *izquierda*, de lo contrario dañará el temporizador.

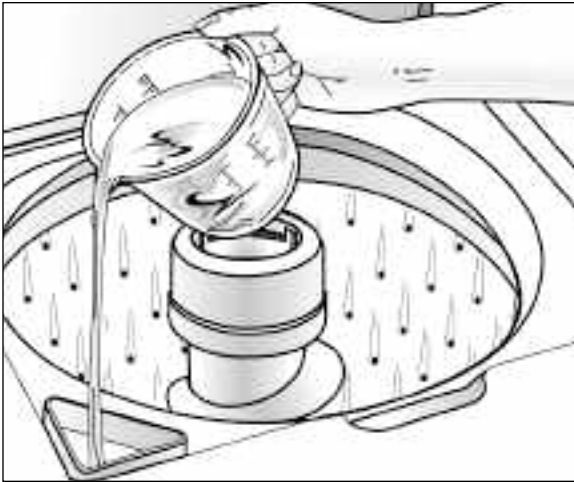


# Características especiales

## Surtidor de blanqueador líquido

El surtidor diluye automáticamente el blanqueador de cloro líquido antes de que éste entre en contacto con la carga de ropa. Siga estos pasos para usar el surtidor:

1. Mida cuidadosamente el blanqueador de cloro líquido, siguiendo las instrucciones del envase.
2. **Vierta el blanqueador de cloro líquido en el surtidor de blanqueador antes de colocar la carga de ropa.** Evite salpicar o llenar en exceso el surtidor.



### Notas:

- **Nunca** vierte blanqueador de cloro líquido no diluido directamente sobre la carga de ropa ni en la tina de la lavadora. Es una sustancia química muy fuerte y si no se usa adecuadamente puede dañar las telas; por ejemplo, puede romperlas o decolorarlas.
- Si prefiere utilizar un blanqueador sin cloro que no decolore, viértalo en la tina de lavado junto con el detergente. **No** vierta blanqueadores sin cloro en el surtidor de blanqueador.

## Surtidor del suavizante líquido (modelos selectos)

Este surtidor automáticamente descarga el suavizante líquido de telas en el momento adecuado durante el ciclo.

### Siga estos pasos para usar el surtidor:

1. Vierta una cantidad medida del suavizante en el surtidor, solamente hasta la línea de llenado.
2. Si el suavizante no llega hasta esta línea, añada agua tibia.

### Si es necesario limpiar el surtidor:

1. Retire el dispensador del agitador.
2. Remoje en el fregadero o en un recipiente en agua caliente y detergente de lavar platos durante una hora.
3. Coloque las manos sobre las partes superior e inferior del dispensador y agítelo para aflojar el material acumulado.
4. Enjuague con agua limpia y caliente.
5. Repita el proceso si es necesario.
6. Reinstale el dispensador en el agitador.



**No use detergente líquido de lavar platos dentro de la lavadora** pues se puede formar mucha espuma.

## Sistema automático de filtrado de pelusa

**El sistema de filtrado de pelusa no requiere limpieza.**

El agua de lavado y enjuague se filtra repetida y continuamente para atrapar la pelusa que desprende la mayoría de las telas durante el ciclo de agitación, antes de que se vuelva a depositar en la ropa. El diseño de la canasta de lavado y el flujo de agua que produce el agitador separan la pelusa de la ropa y la atrapan entre la canasta de lavado interna y la tina externa. Durante el ciclo de centrifugado, la pelusa sale automáticamente de la lavadora.

## Centrifugado de seguridad

Si por alguna razón levanta la tapa de la lavadora durante el período de centrifugado o de extracción, la lavadora dejará de funcionar inmediatamente. Esto es para su seguridad personal. Si su lavadora no deja de funcionar, llame inmediatamente a un técnico de servicio. Cuando baje la tapa la lavadora automáticamente comenzará a funcionar otra vez.



# Características especiales

## Compensador de carga en caso de centrifugado desequilibrado

Su nueva lavadora está diseñada para corregir cargas desequilibradas; obradas sin necesidad de apagar o interrumpir el ciclo de lavado.

Por esta razón siempre se completará el ciclo. Si en alguna ocasión las telas pesadas de una carga desequilibrada contienen humedad excesiva al final del ciclo, redistribuya la ropa en la lavadora y vuelva a ajustar la perilla de control a centrifugado.

## Protector de sobrecarga

Un protector integrado automáticamente apaga el motor de la lavadora en caso de una sobrecarga. Esto puede ocurrir cuando:

- La carga que se está lavando es muy pesada.
- Demasiados electrodomésticos están conectados en la línea de la cual se alimenta su lavadora.
- Hay bajo voltaje en la línea eléctrica.
- Se levanta y baja repetidamente la tapa.

El protector de sobrecarga permite que la lavadora reanude su funcionamiento cuando el motor se enfría hasta alcanzar una temperatura de funcionamiento segura.

Si el motor se detiene repetidamente llame a su técnico de servicio.



## Cuidado y limpieza

1. Después de lavar la ropa deje la lavadora abierta hasta que se seque el interior.
2. Revise las mangueras para asegurarse de que no estén torcidas ni dobladas.
3. La lavadora **no se debe** instalar en lugares con temperaturas menores que el punto de congelación ya que se podría dañar.
4. Ocasionalmente limpie el exterior de la lavadora con una esponja o paño limpio y húmedo. **No** use cera de lustrar en las piezas de plástico.
5. En la fábrica se hace una lubricación que dura toda la vida útil de la lavadora, de manera que usted nunca necesitará aceitarla ni engrasarla.
6. **No** coloque objetos pesados ni de bordes agudos sobre la lavadora.
7. **Nunca** debe utilizar la superficie superior de la lavadora para quitar manchas de sus prendas. Algunos productos para quitar manchas, como por ejemplo los que se usan para manchas de óxido, dañarán el acabado.
8. Quite alfileres, hebillas u otros objetos de bordes agudos de la ropa para evitar raspar las partes internas de la lavadora.
9. **No** debe almacenar ropa en la lavadora.
10. Los blanqueadores, detergentes, solventes, etc. que se derraman y permanecen en la superficie de la lavadora dañarán su acabado brillante. Quite de la lavadora el material derramado con un paño suave y húmedo.
11. Si va a desocupar su casa durante el invierno, pida a un técnico de servicio que drene la lavadora. Desenchufe el cable eléctrico del tomacorriente y desconecte las mangueras de los grifos.

## Limpieza del interior

El interior de la lavadora debe ser limpiado periódicamente a fin de sacar cualquier suciedad, tierra, olor o residuos de bacterias que puedan quedar en la lavadora después que se lava la ropa. Recomendamos que se proceda de la siguiente manera cada 60 a 120 días para limpiar y refrescar el interior de la lavadora. La frecuencia de la limpieza de la lavadora depende de factores tales como el uso, la cantidad de suciedad, tierra o bacterias que pase por su lavadora, o el uso de agua fría. Si no se siguen estas instrucciones se pueden producir condiciones no satisfactorias, incluyendo olores desagradables y/o manchas permanentes en la lavadora o la carga de ropa.

### Para limpiar y refrescar el interior de la lavadora:

1. Agregue una cantidad medida de blanqueador de cloro en el surtidor del blanqueador, siguiendo las instrucciones del envase.
2. Agregue 1/4 taza de detergente a la tina de la lavadora.
3. Haga funcionar la lavadora sin ropa durante un ciclo completo usando agua caliente.
4. Repita el proceso si es necesario.



# Localización y solución de averías

<b>La lavadora no se llena</b>	<ul style="list-style-type: none"><li>• Enchufe el cordón en un tomacorriente eléctrico con corriente.</li><li>• Verifique el fusible o reponga el disyuntor.</li><li>• Gire la perilla de control al ciclo apropiado y tire de la perilla hacia afuera para poner en marcha la lavadora.</li><li>• <b>Abra</b> ambas llaves completamente.</li><li>• Enderece las mangueras de admisión.</li><li>• Desconecte las mangueras y lave las mallas. Las mallas de filtrado de las mangueras pueden estar obstruidas.</li></ul>
<b>La lavadora no agita</b>	<ul style="list-style-type: none"><li>• Verifique el fusible o reponga el disyuntor.</li><li>• Asegúrese de que la tapa esté bien cerrada.</li><li>• Gire la perilla de control al ciclo apropiado y ponga en marcha la lavadora.</li><li>• Las pausas son normales. Espere y vea si la lavadora vuelve a arrancar.</li></ul>
<b>La lavadora no centrifuga ni desagua</b>	<ul style="list-style-type: none"><li>• Verifique el fusible o reponga el disyuntor.</li><li>• Enderece las mangueras de desagüe. Elimine las mangueras torcidas. Si hay una restricción del desagüe de la residencia, llame a un técnico de servicio de desagües.</li><li>• Cierre la tapa y ponga en marcha la lavadora. Para su seguridad, la lavadora no centrifuga ni agita a menos que la tapa esté cerrada.</li><li>• Bloqueo por espuma – causado por exceso de espuma. Vuelva a lavar sin detergente. Use la cantidad correcta de un detergente que forme poca espuma.</li></ul>
<b>La ropa queda mojada</b>	<ul style="list-style-type: none"><li>• La ropa no está distribuida uniformemente. Vuelva a distribuir la ropa, cierre la tapa y ponga en marcha la lavadora. Verifique si la lavadora está nivelada. Asegúrese de que el nivel del agua sea aceptable para el tamaño de la carga de ropa.</li><li>• Para las cargas pesadas, tales como vaqueros o toallas, se recomienda la velocidad de centrifugado normal.</li></ul>
<b>La lavadora se detiene</b>	<ul style="list-style-type: none"><li>• Enchufe el cordón en un tomacorriente eléctrico con corriente.</li><li>• Verifique el fusible o reponga el disyuntor.</li><li>• Cierre la tapa y ponga en marcha la lavadora. Para su seguridad, la lavadora no centrifuga ni agita a menos que la tapa esté cerrada.</li><li>• Puede ser una pausa del ciclo. Espere unos momentos para ver si continúa funcionando.</li></ul>
<b>Hay escape de agua</b>	<ul style="list-style-type: none"><li>• Asegúrese de que las conexiones de la manguera estén herméticas.</li><li>• Asegúrese de que el extremo de la manguera de desagüe esté correctamente insertado y asegurado en el receptáculo de desagüe.</li><li>• Evite el remojo prolongado – remoje durante 30 minutos o menos.</li><li>• Evite cargar demasiado la lavadora.</li></ul>
<b>Funcionamiento ruidoso</b>	<ul style="list-style-type: none"><li>• Asegúrese de que la lavadora esté debidamente nivelada como se describe en el manual de instalación.</li><li>• Los pisos débiles pueden causar vibración y movimiento.</li><li>• Los sonidos del funcionamiento variarán de acuerdo con la velocidad de agitación.</li></ul>



# Localización y solución de averías

<b>La lavadora se llena pero con temperatura incorrecta del agua</b>	<ul style="list-style-type: none"><li>• <b>Abra</b> ambas llaves completamente.</li><li>• Si está equipada con una perilla selectora de temperatura, asegúrese de que esté colocada exactamente en el ajuste de temperatura y no entre dos ajustes.</li><li>• Asegúrese de que la selección de temperatura sea correcta.</li><li>• Mientras se llena la lavadora, podrá observar la entrada de sólo agua caliente o sólo agua fría en la tina cuando se seleccionan las temperaturas de lavado correspondientes.</li><li>• Asegúrese de que las mangueras estén conectadas a las llaves y las conexiones de admisión correctas. Asegúrese de que el suministro del agua esté regulado correctamente. Deje correr agua dentro de la tubería del agua antes de llenar la lavadora.</li><li>• Verifique el calefactor del agua. Debe estar ajustado para entregar de agua caliente a 120° F (49° C) como mínimo en la llave. También verifique la capacidad del calefactor del agua y la velocidad de recuperación.</li><li>• Desconecte las mangueras y limpie las mallas. Las mallas de filtrado de las mangueras pueden estar obstruidas.</li></ul>
<b>La perilla de control de ciclo avanza más allá de OFF (Apagado)</b>	<ul style="list-style-type: none"><li>• La opción <b>'Extra Rinse'</b> (modelos selectos) está seleccionada.</li></ul>



# **Notas**

---



# **Notas**

---

